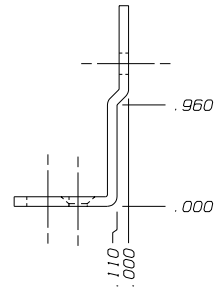
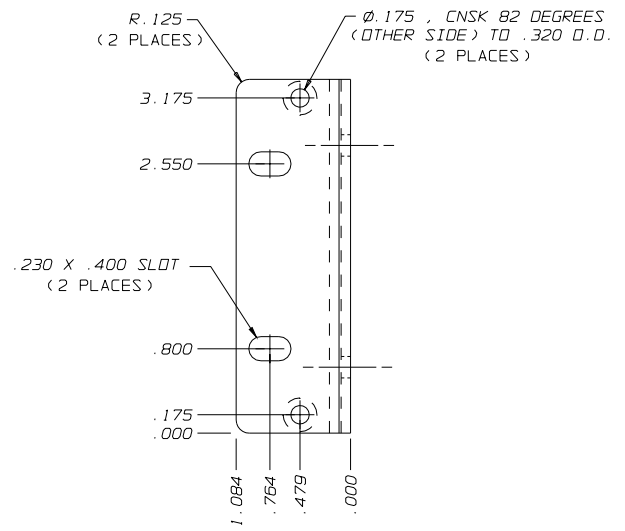


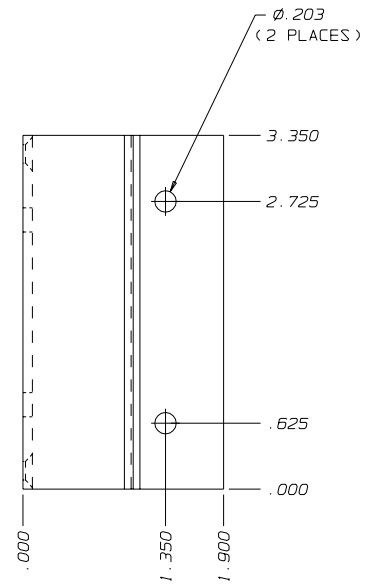
| REVISIONS |                                    |          |          |
|-----------|------------------------------------|----------|----------|
| REV       | DESCRIPTION                        | DATE     | APPROVED |
| B         | CHANGED TWO CNSK HOLES TO .230 DIA | 08/01/88 | AWR      |



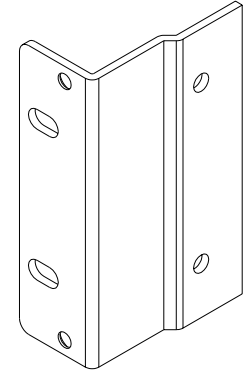
TOP VIEW



FRONT VIEW



RIGHT SIDE VIEW



- NOTES: 1) ALL DIMENSIONS ARE IN INCHES  
 2) TOL +/- .010  
 3) USE MINIMUM RADII ON ALL BENDS  
 4) MATERIAL: .090 ALUMINUM  
 5) FINISH: BLACK ANODIZE  
 DO NOT GRAIN, TUMBLE O.K.

|   |                      |   |              |  |
|---|----------------------|---|--------------|--|
| <i>STANFORD RESEARCH SYSTEMS, Inc.</i>  |                      |   |              |  |
| 1290-D REAMWOOD AVENUE<br>SUNNYVALE, CA 94089<br>PHONE: (408) 744-9040<br>FAX: 4087449049<br>TELEX: 706891 SRS UD |                      | ASSEMBLY:<br>SR510/PS300 SCIENTIFIC INSTRUMENTS |              |  |
|   |                      | TITLE:<br>RACK MOUNT (TWO PER ASSEMBLY)         |              |  |
| SIZE<br>C   | SRS REF#<br>SR510-26 | SRS PART#<br>7-00205-720                        | REV<br>B     |  |
| DRAWN BY: AWR   | SCALE: 1:1           | DATE: 03/11/88                                  | SHEET 1 OF 1 |  |